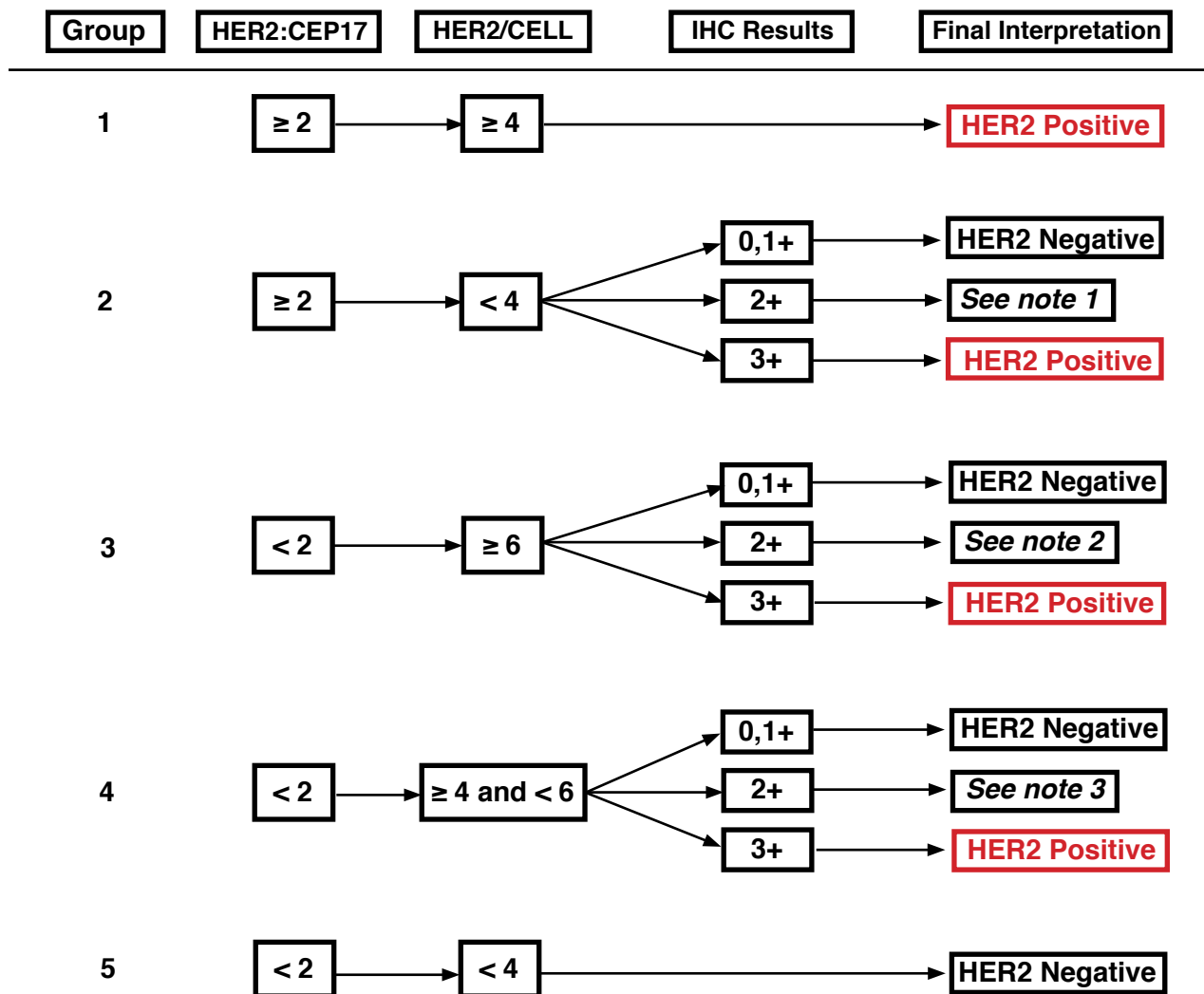


# STARTING WITH FISH

Summary of 2018 ASCO-CAP HER2 Guidelines for Breast Cancer as performed at PhenoPath Laboratories



### Note 1

FISH reevaluated, including area of 2+ IHC signal. If same result, HER2 is **Negative**. If FISH places tumor in different category, results will be adjudicated with parallel review of IHC.

### Note 2

FISH reevaluated, including area of 2+ IHC signal. If same result, HER2 is **Positive**. If FISH places tumor in different category, results will be adjudicated with parallel review of IHC.

### Note 3

FISH reevaluated, including area of 2+ IHC signal. If same result, HER2 is **Negative**. If FISH places tumor in different category, results will be adjudicated with parallel review of IHC.

# STARTING WITH IHC

Summary of 2018 ASCO-CAP HER2 Guidelines for Breast Cancer as performed at PhenoPath Laboratories

